

GYGER LEVAGES

Autogrues et transports spéciaux

Gyger Levages Sàrl

Neuchâtel – Jura – Berne – Fribourg – Vaud – Genève – Valais

info@gygerlevages.ch

Grues mobiles de 40 à 450 to

Dépannage 24 / 24 h

Transports divers

www.gygerlevages.ch

Spierings AT6

Capacité maximale : 10 tonnes

Capacité de levage à portée maximale : 1.7 tonne

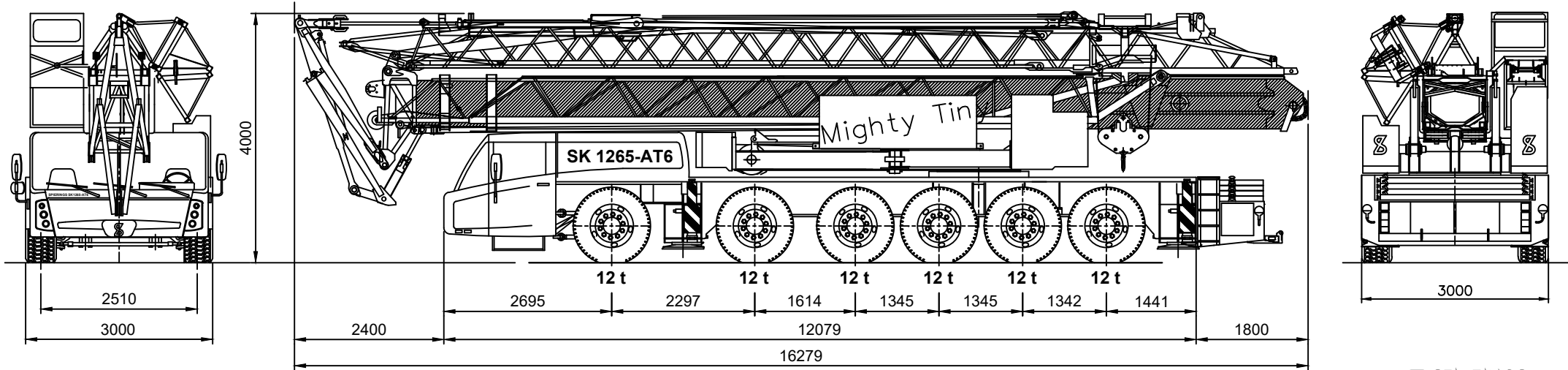
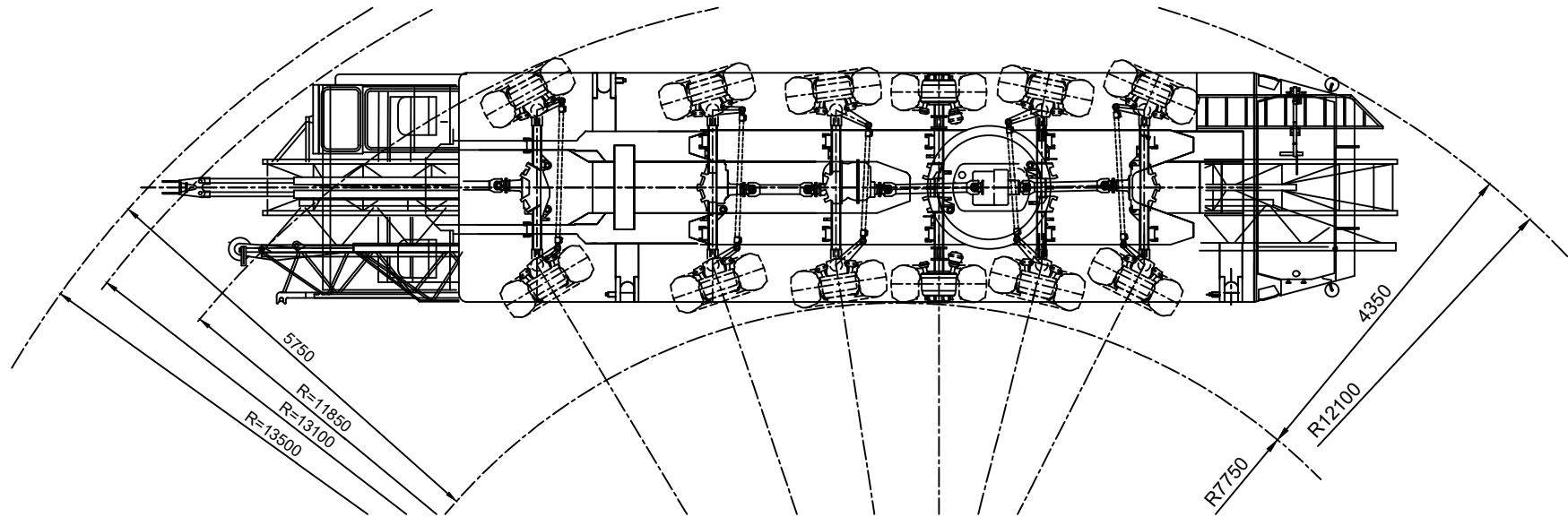
Hauteur maximale sous crochet : 66.2 mètres

Portée maximale : 60 mètres

Position de flèche relevée : 30°

Poids de la machine : 72 tonnes





SPIERINGS HYDRAULIC FOLDING CRANE SK 1265 - AT6

SPIERINGS
MOBILE CRANES

Merwedestraat 15
5347 KZ Oss NL
Tel. +31 (0)412-626964
www.spieringscranes.com

121-00126102A

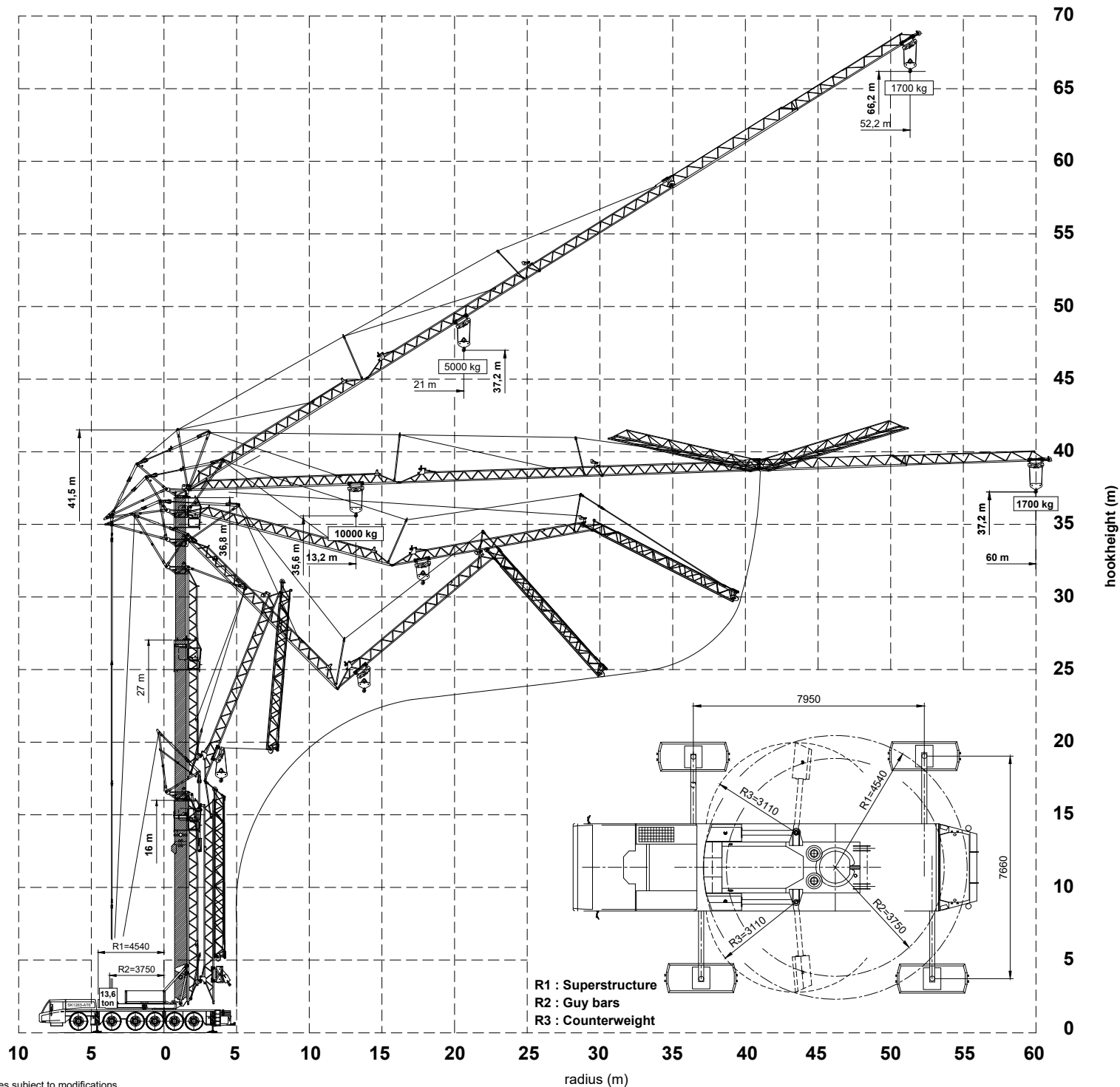
Total weight: 72000 kg
Specifications subject to modifications

SPIERINGS HYDRAULIC FOLDING CRANE SK1265-AT6

Erection procedure of the crane Jib radius 60 m

Max. outrigger force : 520 kN
 Outrigger support pads : 750x600 mm
 Ground pressure : 1,15N/mm²
 Jib can be unfolded through 360°
 Luffing the jib 30° can be controlled from
 the crane cab or remote control

Outrigger support plates : 2500x1000 mm
 surface : 2,35 m²
 Ground pressure : 0,22 N/mm²



R1 : Superstructure
 R2 : Guy bars
 R3 : Counterweight



Merwedestraat 15
 5347 KZ Oss NL
 Tel. +31 (0)412-626964
www.spieringscranes.com

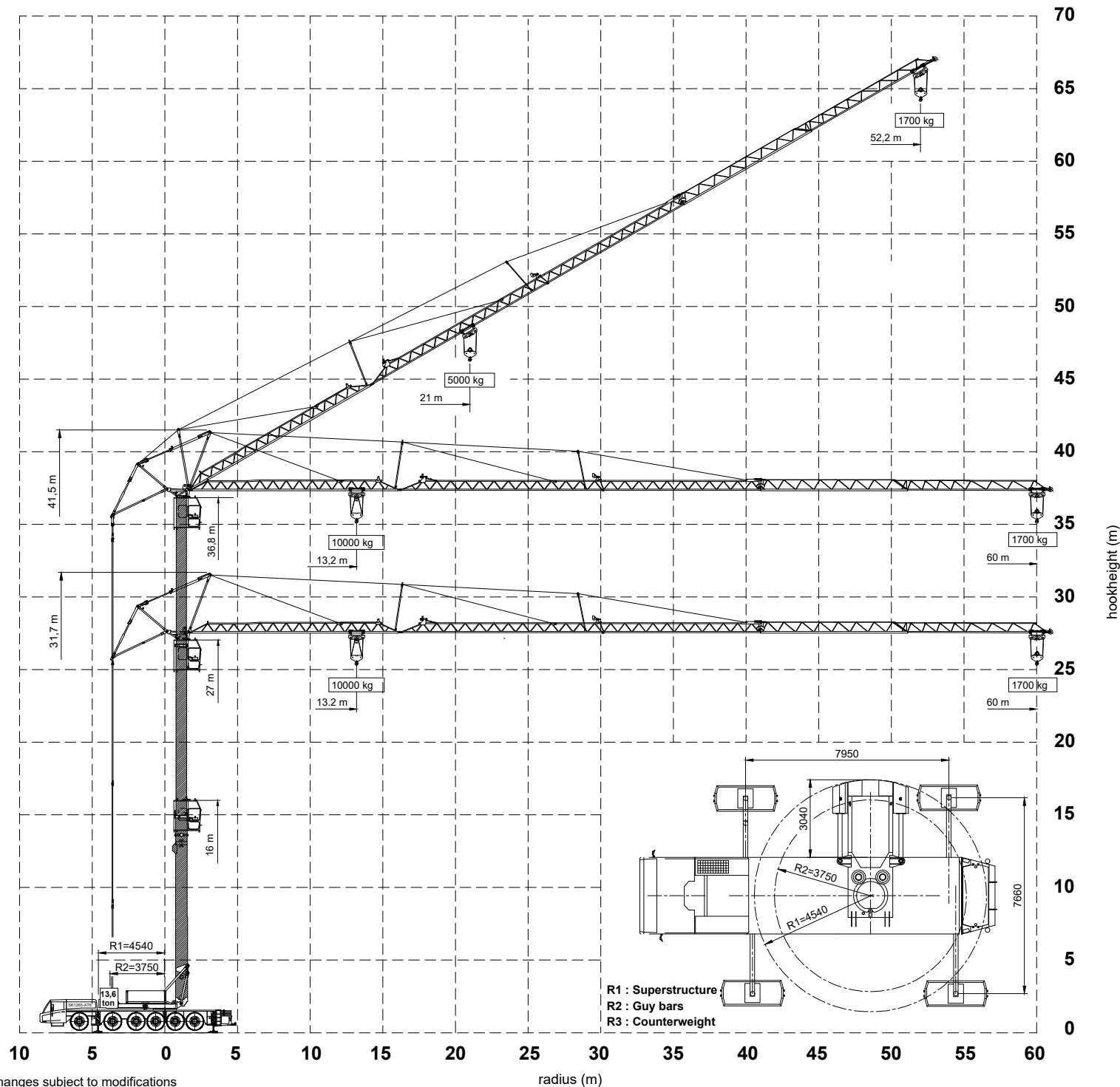
SPIERINGS HYDRAULIC FOLDING CRANE SK1265-AT6

Hoisting Specifications

Jib radius 60 m

Outrigger support base

7,95 m x 7,66 m



Changes subject to modifications

SPIERINGS
MOBILE CRANES

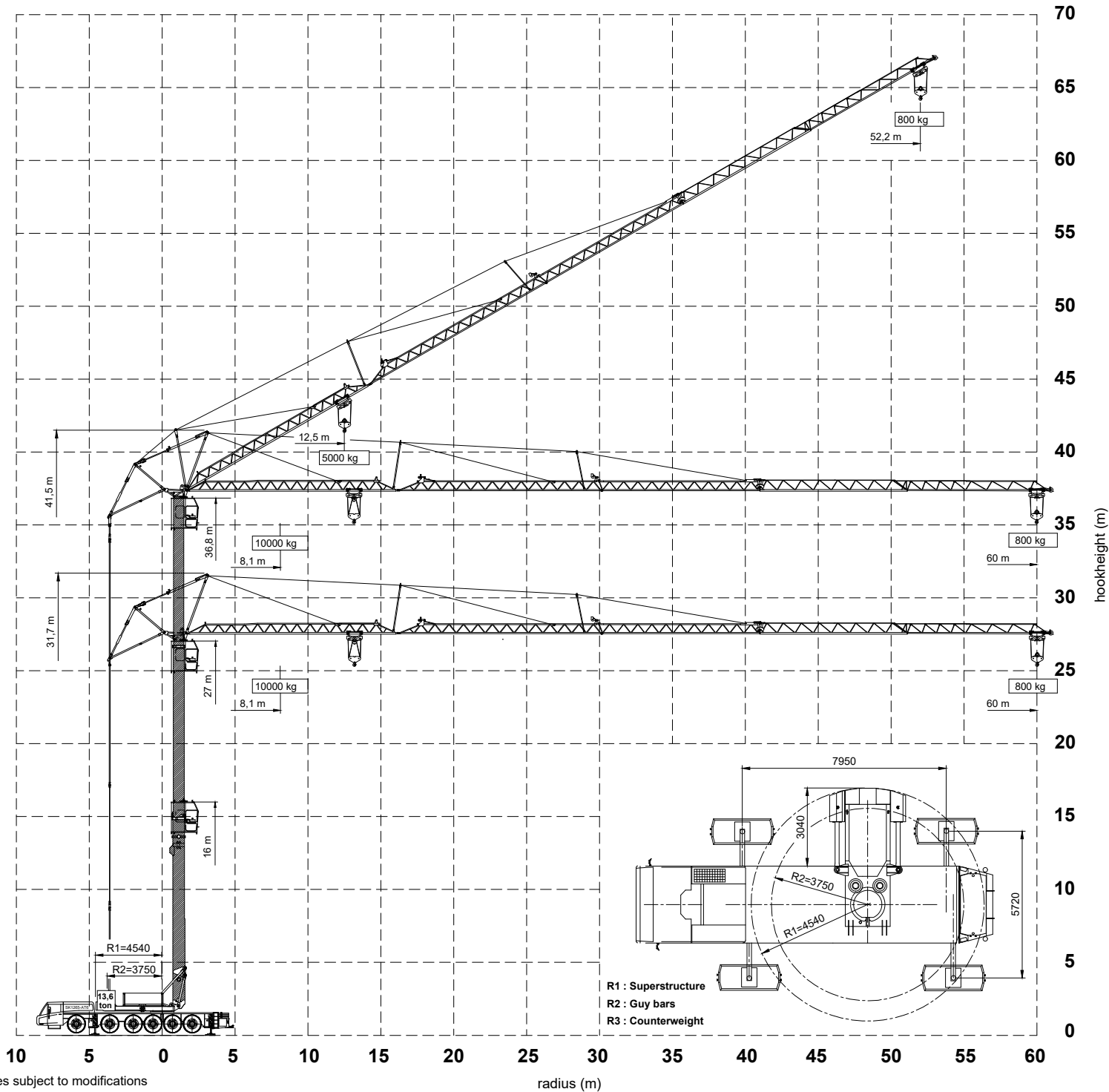
Merwedestraat 15
5347 KZ Oss NL
Tel. +31 (0)412-626964
Fax +31 (0)412-645299
www.spieringscranes.com

121-00126104

SPIERINGS
HYDRAULIC FOLDING CRANE
SK1265-AT6

Hoisting Specifications
 Jib radius 60 m

Outrigger support base
 7,95 m x 5,72 m

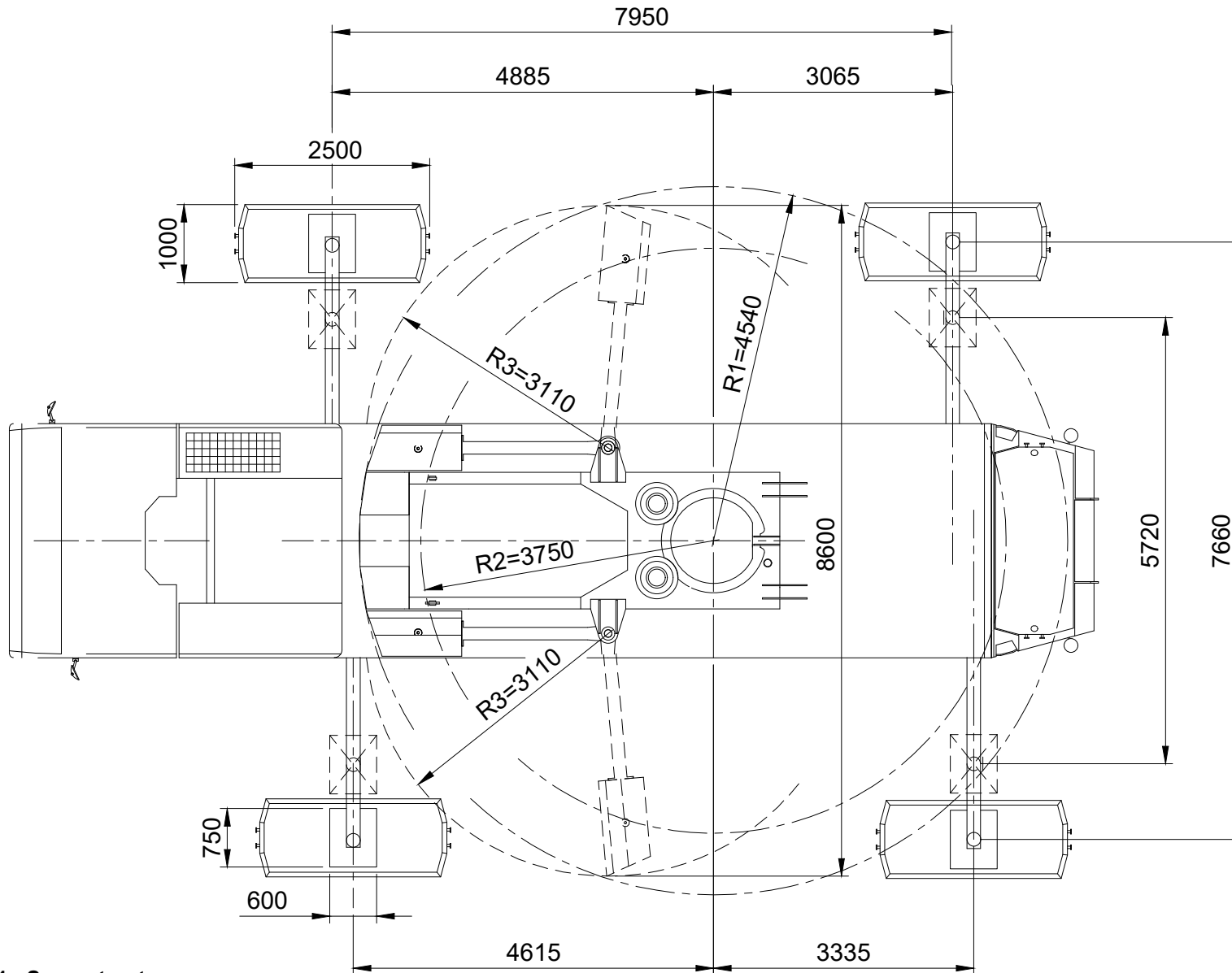


Merwedestraat 15
 5347 KZ Oss NL
 Tel. +31 (0)412-626964
 Fax +31 (0)412-645299
www.spieringscranes.com

SPIERINGS

HYDRAULIC FOLDING CRANE

SK 1265 - AT6



Outrigger support base	
Max. outrigger force	520 kN
Outrigger support pads	750x600 mm
Ground pressure	1,15 N/mm ²
Outrigger support plates	2500x1000 mm
Surface	2,35 m ²
Ground pressure	0,22 N/mm ²

R1 : Superstructure
R2 : Guy bars
R3 : Counterweight



Merwedestraat 15
 5347 KZ Oss NL
 Tel. +31 (0)412-626964
 Fax +31 (0)412-645299
www.spieringscranes.com

Specifications subject to change

121-00126107A

GYGER

1m20

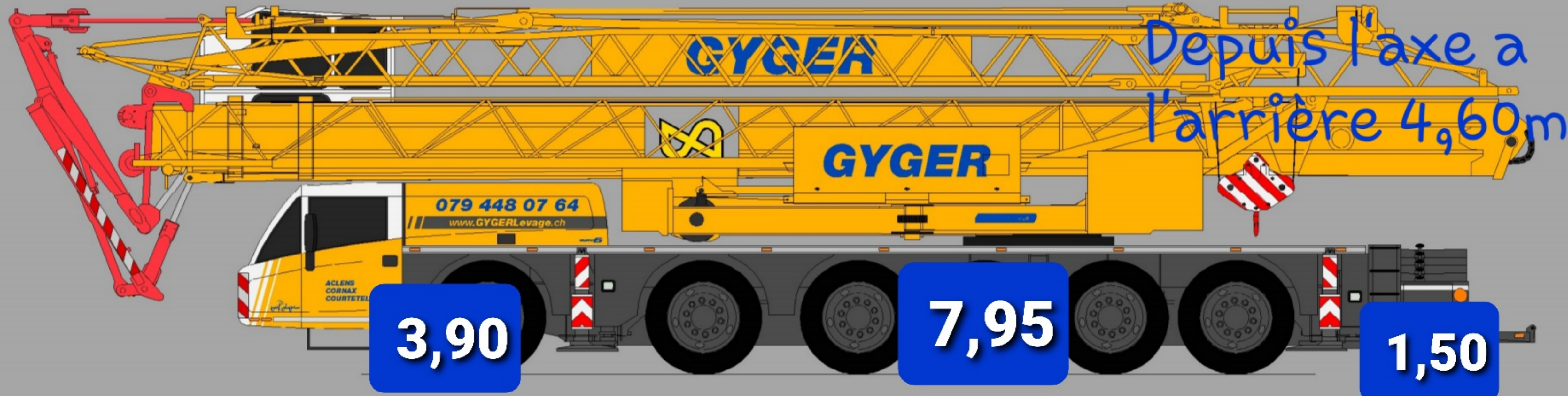
Hauban 2,30

3,05

2,70 complet

1,73 partiel





Depuis l'axe a l'arriere 4,60m

3,90

7,95

1,50